



3PH Rotary Cutters



FEATURES

- Maximum brush diameter 1"
- 7 year limited warranty
- Cat. 1 3PH
- Adjustable cutting height 2" – 10"
- Floating top link maintains cutting height
- Solid segmented wheels for no flat running
- 2 blade design
- Standard front and rear rubber guards
- Deck protection ring
- Fixed skid shoe

OPTIONS

- Light duty slip clutch for driveline protection
- Chain curtains
- Rubber guard

SPECIFICATIONS

Model	PRC48LD	PRC48	PRC54	PRC60	PRC66	PRC72	PRC72HD
Shipping Weight (LBS.)	320	380	430	500	560	625	635
3PH Mount	Cat. 1	Cat. 1	Cat. 1	Cat. 1	Cat. 1	Cat. 1	Cat. 1
Cutting Height	2" - 10"	2" - 10"	2" - 10"	2" - 10"	2" - 10"	2" - 10"	2" - 10"
Cutting Path	48"	48"	54"	60"	66"	72"	72"
Max Brush Diameter	1"	1"	1"	1"	1"	1"	1"
Tip Speed (Ft/Min)	13100	13100	14725	12462	13708	14955	14955
Wheels	16" (Air Filled)			16" (Segmented)			
Blades	1/2" x 3"	1/2" x 3"	1/2" x 3"	1/2" x 3"	1/2" x 3"	1/2" x 3"	1/2" x 3"
Tractor HP (min)	20	20	22	30	40	50	50
PTO RPM	540	540	540	540	540	540	540
Gearbox Rating	40	40	40	60*	60*	60*	75*
Deck	12 ga	12 ga	12 ga	12 ga	12 ga	12 ga	12 ga
Stump Jumper	Yes	Yes	Yes	Yes	Yes	Yes	Yes
Rubber Guard	Optional	Optional	Optional	Optional	Optional	Optional	Optional
Protection (Std./Opt.)	Shear Pin / Slip Clutch	Shear Pin / Slip Clutch	Shear Pin / Slip Clutch	Shear Pin / Slip Clutch	Shear Pin / Slip Clutch	Shear Pin / Slip Clutch	Slip Clutch (Std.)

* Based on field performance



Chain Guards

Part # (Chain)

PRC48CHAIN16

PRC54CHAIN

PRC60CHAIN16

PRC66CHAIN16

PRC72CHAIN16

Includes both front and back chains.



Slip Clutch

Part

PRCSC

Description

Optional Light Duty Slip Clutch



Rubber Guard kit

Part

RC48RB

Rubber Guard option for 48" PRC/MKRC

RC54RB

Rubber Guard option for 54" PRC/MKRC

RC60RB

Rubber Guard option for 60" PRC/MKRC

RC66RB

Rubber Guard option for 66" PRC/MKRC

RC72RB

Rubber Guard option for 72" PRC/MKRC

3PH Rotary Cutters - 700 Series



The 700 Series features a 7" deck height which increases airflow providing improved efficiency and cutting capacity. This PTO powered rotary cutter provides excellent performance for tractors rated between 22 - 60 HP. The 3PH mount models are available in a variety of cutting widths from 48" - 84". The 700 Series also features a floating top link and has an adjustable cutting height of 1.5" - 13", allowing you to achieve your ideal cut.

Model	MKRC748	MKRC760	MKRC766	MKRC772	MKRC772HD	MKRC784HD
Cut Width	48"	60"	66"	72"	72"	84"
Weight (LBS.)	420	535	605	640	730	840
Hitch	Cat. 1 Quick Hitch Compatible					
Cutting Height	1.5" - 13" / 10 Positions					
Max Brush Diameter	2"					
Tip Speed (Ft/Min)	13100	12462	13708	14955	15260	17803
Wheels	16" Segmented					X2
Blades	1/2" x 3"					
Tractor HP (min)	22	30	40	50	50	60
PTO RPM	540 RPM	540 RPM	540 RPM	540 RPM	540 RPM	540 RPM
Gearbox Rating *	40	60	60	60	75	75
Deck	10 ga	10 ga	10 ga	10 ga	10 ga	10 ga
Deck Height	7"	7"	7"	7"	7"	7"
Skirt Thickness	3/16"	3/16"	3/16"	3/16"	3/16"	3/16"
Stump Jumper	Yes (Round)	Yes (Round)	Yes (Round)	Yes (Round)	Yes (Round)	Yes (Round)
Rubber Guard	Std.	Std.	Std.	Std.	Std.	Std.
Protection	Shear Pin	Shear Pin	Shear Pin	Shear Pin	Slip Clutch	Slip Clutch

*Based on field performance.

7" Deck Height



Front & Rear Rubber Guards



Floating Top Link



Stump Jumper



2 Piece Blade Assembly Cat. 1 3PH



Deck Protection Ring



Solid Segmented Wheels



Chain Guards

Includes both front and back chains.

Part # (Chain)
PRC48CHAIN16
PRC60CHAIN16
PRC66CHAIN16
PRC72CHAIN16
PRC84CHAIN16



Slip Clutch

Part #	Description
PRCSC	Optional Light Duty Slip Clutch

3PH Rotary Cutters Plus



FEATURES

- Maximum brush diameter 2"
- 7 year limited warranty
- Cat. 1 & Cat. 2 3PH
- Draw bar hitch (PRCPLUS120)
- Adjustable cutting height 2" – 10"
- Floating top link maintains cutting height
- Solid segmented wheels
(PRCPLUS60 - PRCPLUS96 & PRCPLUS120-3PH)
- Pneumatic wheels (PRCPLUS120)
- 3 blade design with stump jumper
- Standard front and rear rubber guards
- Deck protection ring
- Slip clutch to protect the drive line
- Bolt on skid shoe

OPTIONS

- Chain curtains

Blade Assembly



Floating Top Link



Segmented Wheel



Slip Clutch



SPECIFICATIONS

Model	PRCPLUS60	PRCPLUS72	PRCPLUS84	PRCPLUS96	PRCPLUS120	PRCPLUS120-3PH
Shipping Weight (LBS.)	595	775	1045	1530	2320	2045
Hitch Type	Cat. 1 & 2 Quick Tach compatible				Draw Bar Hitch	Cat. 2
Cutting Height	2" - 10"	2" - 10"	2" - 10"	2" - 10"	2" - 10"	2" - 10"
Cutting Path	60"	72"	84"	96"	120"	120"
Max Brush Diameter	2"	2"	2"	2"	2"	2"
Tip Speed (Ft/Min)	12,462	15,260	17,803	16,500	14,500	14,500
Wheel Type (Qty.)	16" Segmented (1)	16" Segmented (1)	16" Segmented (2)	16" Segmented (2)	16" Pneumatic (2)	16" Segmented (2)
Blades	3 - 1/2" x 3"	3 - 1/2" x 3"	3 - 1/2" x 3"	3 - 1/2" x 3"	6 - 1/2" x 4"	6 - 1/2" x 4"
Tractor HP (min)	30-40	60	60	80	80	80
PTO RPM	540	540	540	540	540	540
Gearbox Rating *	75 HP	75 HP	90 HP	100 HP	120 HP	120 HP
Deck	3/16"	3/16"	3/16"	3/16"	9GA	9GA
Stump Jumper	Yes	Yes	Yes	Yes	Yes	Yes
Protection	Slip Clutch	Slip Clutch	Slip Clutch	Slip Clutch	Slip Clutch	Slip Clutch

* Based on field performance



CHAIN GUARDS

Includes both front and back chains.

Part # (Chain)

PRC60CHAIN16

PRC72CHAIN16

PRC84CHAIN16

PRC96CHAIN16

PRC120CHAIN

DRAW BAR KIT

For 84" & 96" models. Kit consists of components shown in black in this image; red components for illustration only.

Part

PRCDB84-96





The MK Finishing Mower is available for a wide variety of lawn mowing applications. Available in 4 sizes, there is a size to fit your mowing needs. Riding on 4 solid rubber tires, the MK Finishing Mower floats smoothly over your lawn without worry of flat tires. A floating top link ensures that all 4 wheels keep contact with the ground as your 3PH equipped tractor pulls it along.

Model	PFM48RD	PFM60RD	PFM72RD	PFM90RD
Cutting Width	48"	60"	72"	90"
Overall Width	50"	62"	74"	93"
Weight (LBS.)	370	435	525	714
Acres/Hr@5 MPH	2.43	3.03	3.63	4.57
HP Required	14/20	20/25	25/30	30/40
3PH Mount	Cat. 1	Cat. 1	Cat. 1	Cat. 1
RPM @ PTO Shaft	540	540	540	540
Number of Blades	3	3	3	5
Tip Speed (Ft/Min)	15,660	18,000	16,850	16,288
Wheels	Solid Rubber Wheel	Solid Rubber Wheel	Solid Rubber Wheel	Solid
Deck Thickness	10 GA	10 GA	3/16"	3/16"
Cutting Height	2" - 5"	2" - 5"	2" - 5"	2" - 5"

<p>Floating Top Link (Bar Stock)</p>	<p>Rear Discharge Shield</p>	<p>Blade Assembly (PFM90RD Model Shown)</p>	<p>Adjustable Deck Height</p>	<p>Fixed Guide Wheels</p>	<p>Belt Driven Blades</p>
---	-------------------------------------	--	--------------------------------------	----------------------------------	----------------------------------



Tame your property using the MK Martin UTV mower. This rough cutting mower is built for creating and maintaining trails, managing your open fields, and for improving wildlife habitats before plowing and reseedling, keeping harmful chemicals out of the soil. The UTV mower is self-powered with a 19 HP Briggs & Stratton engine and a 12V battery, giving you the power you need to run without needing a PTO or hydraulic hookup. The mower is equipped with two 3-blade rotors, cutting through tall grass and weeds without a problem. Flat-free tires help maintain consistent travel height and prevent downtime from blowouts when working in rough areas.

Model	PTM48
Engine Brand	Briggs & Stratton
Engine	19 HP
Starting System	Key (electric)
Fuel Tank	3 Gal.
Battery	12 Volt
Deck	Rear Discharge
Deck Thickness	10 ga
Blade Assembly	2 Rotors with 3 Blades each
Cut Width	44"
Cut Height	2" - 7"
Max Brush Diameter	3/4"
Wheels	12" x 3.5" Flat free tires
Weight	720 lbs

19HP Briggs & Stratton Engine



Remote e-Stop
(UTVM48 only)



Adjustable Deck Height



Control Panel



Adjustable Offset Towing



Blades



Rotary Cutters - Wing



MK Martin presents the Rotary Cutter Wing. Available in a 15' model, the three triple blade assemblies make short work of stubble whether in the pasture, field, or brush. Each wing can independently float 20° in either direction to conform to the contours of the ground. The 15' width of the cutter can be greatly reduced by folding up both hydraulic wings to better transport from one field to another, and to store the cutter in tight spaces.

STRAIGHT AXLE MODEL



WALKING TANDEM AXLE MODEL





Pictured: Rotary Cutter Wing - Folded Wings

FEATURES

- 15' dual wing rotary cutter
- 4 heavy duty gearboxes, each covered with 7 year limited warranty
- Transport lock for each wing
- 1.5" diameter cutting capacity
- Each wing can float to conform to ground contours

Model	Description
PW180SP	Straight Axle with 6 Pneumatic Tires
PW180SS	Straight Axle with 6 Solid Tires
PW180TP	Walking Tandem Axle with 8 Pneumatic Tires
PW180TS	Walking Tandem Axle with 8 Solid Tires

SPECIFICATIONS

Model	PW180
Shipping Weight (LBS.)	4,400
3PH Mount	Draw Bar Hitch
Cutting Height	3" -15"
Cutting Path	180"
Max Brush Diameter	1.5"
Overall Width (Wings Down)	184"
Folded Width (Wings Up)	78"
Tip Speed (Ft/Min)	15,100 ft/min on Wings 14,850 ft/min on center
Wheels (Pneumatic)	21"
Blades	9 blades 1/2"x4"
Tractor HP (min)	75HP
PTO RPM	540
Gearbox Rating (Wing)	140 HP
Gearbox Rating (Center)	105 HP
Gearbox Rating (Divider)	87 HP
Deck	3/16"
Stump Jumper	Yes
Protection	Independent Slip Clutch on Each Spindle
Wing Float Range(degrees)	20 down and 33 up

Skidsteer Rotary Cutters



The hydraulically driven Rotary Cutter series was designed for mowing grass and light brush, up to 2" in diameter. Available in 60" and 72" cutting widths the skidsteer mount MK Rotary Cutter can cut almost any desirable height. The heavy 3/16" material deck and deck supports provide the durability for many years of dependable service. The front of the MK Rotary Cutter features a push bar that bends tall grasses and brush under the deck. Our unique drive spindle is supported by 2 bearings allowing us to couple the hydraulic motor directly onto the drive spindle, eliminating the need for a gearbox. Our unique float linkage allows the Rotary Cutter to follow the contour of your cutting area.



* To ensure optimum performance, hydraulic output must match motor package.

Model	Description	Brush Diameter	Deck Thickness	Weight (LBS.)
PRCH60-A	60" Rotary Cutter	2"	3/16"	760
PRCH60-B	60" Rotary Cutter	2"	3/16"	760
PRCH60-B+	60" Rotary Cutter	2"	3/16"	760
PRCH72-A	72" Rotary Cutter	2"	3/16"	860
PRCH72-B	72" Rotary Cutter	2"	3/16"	860
PRCH72-B+	72" Rotary Cutter	2"	3/16"	860
PRCH72-C	72" Rotary Cutter	2"	3/16"	860
PRCH72-C+	72" Rotary Cutter	2"	3/16"	860
PRCH72-D	72" Rotary Cutter	2"	3/16"	860

Flow Rates	Pack. Codes
14-17 GPM	A
18-20 GPM	B
20-22 GPM	B+
23-26 GPM	C
27-33 GPM	C+
33-40 GPM	D

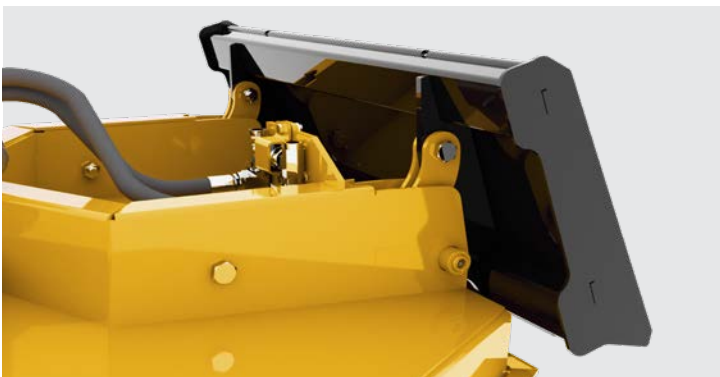


OPTIONAL BOLT-ON GAUGE WHEEL

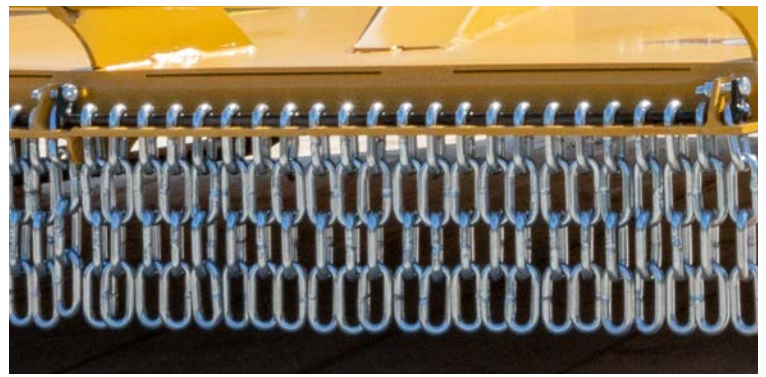
- 16" segmented wheel
- 2"-9" wheel adjustment /5 holes

Part #
PRCH-WK

Floating Loader Mount



Chain Curtain



Blade Assembly



Push Bar & Formed Skid Shoe





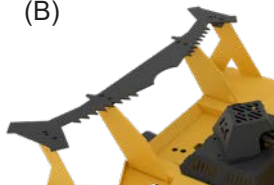
DIRECT MOUNTED MOTOR

The hydraulic radial piston direct mounted motor and heavy duty bearing assembly deliver tip speeds of up to 20,000 ft. per minute and produce powerful torque at lower speeds for continuous cutting and faster recovery.

(A)



(B)



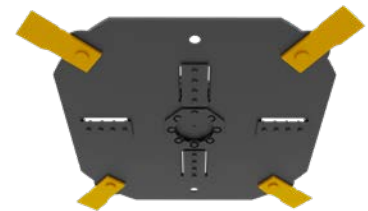
REVERSIBLE FRONT PUSH BAR

One side (A) has aggressive teeth for accurate pushing and directional control of larger trees. The reverse side (B) is smooth, intended for flattening dense underbrush.



HEAVY DUTY 10" CUT CAPACITY

Easily power through dense brush, woody vegetation even 10 inch diameter trees across fields, forests and trails.



4 REPLACEABLE FLAIL KNIVES

Mounted on the rotor are 4 replaceable pivoting flail knives designed to deliver maximum centrifugal velocity and shear force on every rotation.



HEAVY DUTY 1" THICK ROTOR

78" diameter oversized rotor is manufactured using a 1" thick steel plate.

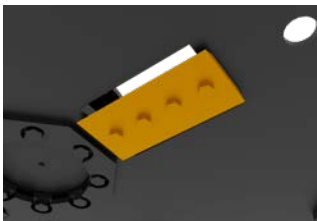
EXTREME DUTY

BRUSH CUTTER



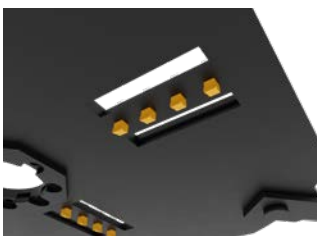
FEATURES

- 78" Brush Cutter - Skid Steer attachment
- 86.5" Machine Width
- 10" cut capacity
- Radial Piston Motor (4 pkgs up to 40GPM)
- Recommend 20+GPM
- Higher Torque capability at low speeds
- Up to 4000psi operating pressure
- Heavy duty 1" cutting bar; 4 cutting blades
- Optional bolt-on inserts
- Tip speed of 20,000 ft/min
- 1/4" deck thickness
- Replaceable skid shoes
- 2200 LBS approximate weight
- Reversible push bar (trees/brush/grass)
- **7 year limited consumer warranty**
- 1 year limited commercial warranty**



OPTIONAL BOLT-ON MULCHING KNIVES

Bolt-on mulching knives go on the bottom of the rotor to effortlessly mulch through stumps and logs.



OPTIONAL CARBIDE CHIPPER KNIVES

Another option for mulching stumps and logs are the optional carbide tipped mulching knives.

SPECIFICATIONS

Model	BCH78XD
Description	78" Brush Cutter
Machine Width	86.5"
Cutting Path	78"
Max Brush Diameter	10"
Radial Piston Motor	4 pkgs up to 40GPM
Recommended GPM	20+GPM
Torque	Higher Torque capability at low speeds
Operating Pressure	Up to 4000 psi
Blades	4 blades
Heavy Duty Cutting Bar	1"
Tip Speed	20,000 ft/min
Deck Thickness	1/4"
Shipping Weight (LBS.)	2,200

OPTIONS

Part #

BCH78XD-BK - BOLT ON MULCHING KNIFE KIT

BCH78XD-MK - CARBIDE TIP CHIPPER KNIFE KIT

MOTOR OPTIONS

Part #

A - 14-20GPM

B - 20-26 GPM

C - 26-33 GPM

D - 33-40 GPM



**LIVING
COUNTRY**

**7 YEAR
WARRANTY**

MK MKMARTIN

3950 Steffler Rd., Elmira Ontario, N3B 2Z3

Toll Free: 855-664-2752
Tel: 519-664-2752
Email: sales@mkmartin.ca

www.mkmartin.ca

Authorized Dealer

